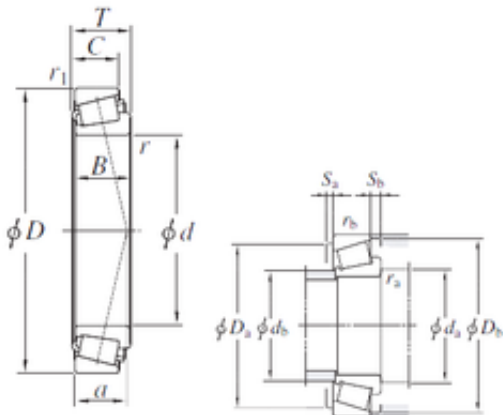




China 6203 Bearing Supplier

Hot Sell Koyo Chrome Steel 37425/37625 Taper Roller Bearing

Bearing No. 37425/37625



37425/37625 Bearing 2D drawings and 3D CAD models

Size	107.95x158.75x23.02 mm
Bore Diameter	107,95 mm
Outer Diameter	158,75 mm
Width	23,02 mm
d	107,95 mm
D	158,75 mm
T	23,02 mm
B	21,438 mm
C	15,875 mm
a	36,5 mm
r min.	3,6 mm
r1 min.	3,2 mm
r2 min.	3,2 mm
da min.	121 mm
Da min	141 mm
Da max.	147 mm
Da	143 mm
db max.	121 mm
db min	115 mm
ra max.	3,6 mm
rb max.	3,2 mm
Db	148 mm
Weight	1,38 Kg
Basic dynamic load rating (C)	104 kN
Basic static load rating (C0)	169 kN



China 6203 Bearing Supplier

(Grease) Lubrication Speed	2200 r/min
(Oil) Lubrication Speed	3000 r/min
Calculation factor (e)	0,61
Calculation factor (Y0)	0,54